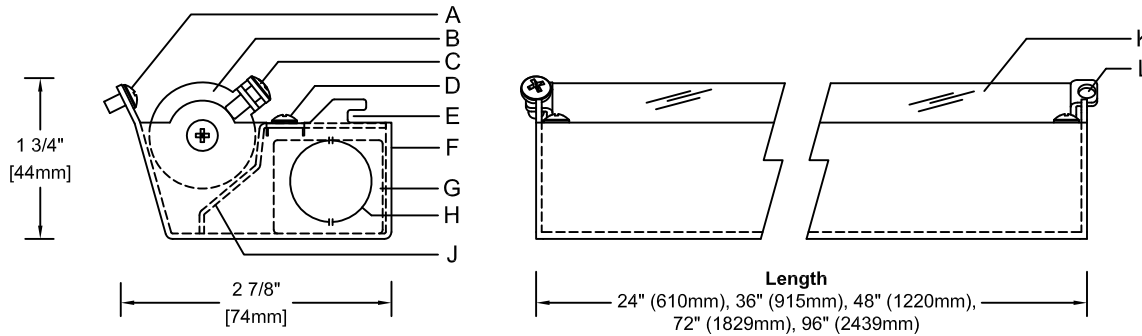
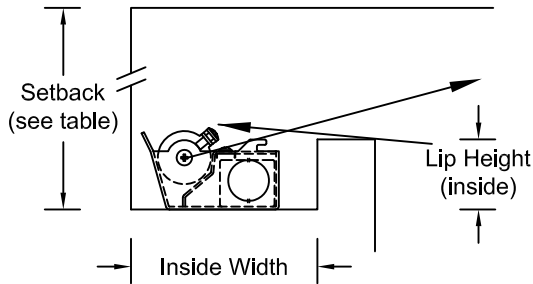


Style S320 1:2 Scale



Cove Design 1:4 Scale



Cove Dimensions

(max candlepower aimed at 15° above horiz.)

Sight-line	0° (horiz. cutoff)	5°	10°
Inside Width	4" (102mm)	3-1/2" (89mm)	3-1/2" (89mm)
Lip Height	1-11/16" (43mm)	1-7/16" (37mm)	1-1/8" (29mm)
Setback	Recommended minimum: 12" (305mm) for 350mA, 18" (457mm) for 700mA		



SC 40.0

Specifications

- A Mounting screws to framing*
- B Extruded aluminum heat sink with LEDs
- C Locking screw
- D Driver cover screws
- E Slot hooks into cove framing*
- F Formed aluminum wireway/housing
- G High power factor LED driver
- H 7/8" knock-out for conduit and supply wiring (by others)
- J Formed aluminum wireway cover
- K Extruded polymer beam shaping lens
- M Tab for interlocking fixture heads

* Cove framing ordered separately

Housing and Optic Assembly:

Formed aluminum housing and cover. Extruded aluminum heat sink/optic housing. Exterior heat sink anodized for maximum emissivity. Extruded acrylic refractive semi-diffuse asymmetric beam shaping lens.

Finish:

Optic assembly – bright anodized aluminum. Housing and cover – mill finish aluminum or painted. Painted surfaces receive a 6-stage pretreatment process prior to electrostatically applied baked powder enamel. All hardware – stainless steel.

Mounting:

Base or wall mounted (fasteners by others). Luminaires can be mounted individually or joined together to form a continuous row. Optical assembly aiming is adjustable and is fixed in position by rotation locking screw. When mounted in a continuous row, assemblies lock together allowing all in the row to be aimed together. Fixture weight: 1.7 lb/ft (2.5 kg/m).

Electrical:

Use 90°C wire for supply connections. Integral electronic Class II drivers. For complete driver specifications, see website, reference document MA-1303. Driver/wireway compartment includes one conduit entry at each end. Driver cover is removable for access to driver and wiring. Luminaires may be butted end-to-end (connectors by others) for through wiring. Optional #12 AWG prewired modular through wiring with quick connectors.

Standard:

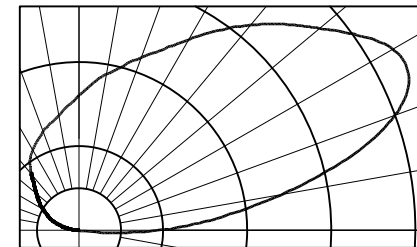
ETL listed certified for dry locations (damp option available) 5 year warranty, maximum ambient temperature 40°C (104°F).

Features

- Asymmetric distribution – uniform surface illumination
- Fully adjustable and lockable aiming
- Integral driver with optional thru-wire harness and quick connectors
- Tunable white and RGBW available
- For use with electriX Lumiledge cove framing (ordered separately)

Performance

Precisely extruded acrylic lens produces an asymmetric distribution ideal for illuminating vertical surfaced evenly from top to bottom.



L90(10k)>60,000 hours @ 25°C per TM-21



