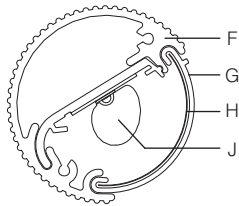


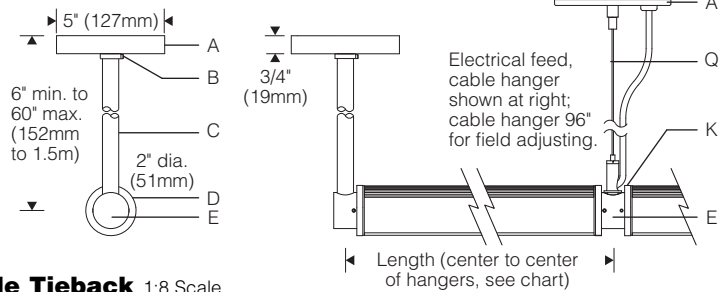
Optical Assembly

1:2 Scale



Pendant Stem with Round Canopy

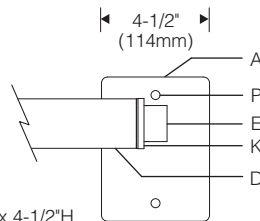
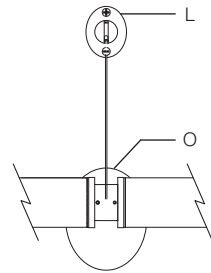
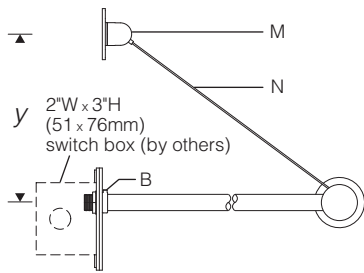
1:8 Scale



LENGTHS	
25-11/32"	(644mm)
37-11/32"	(949mm)
49-1/16"	(1246mm)
61-1/16"	(1551mm)
73-1/16"	(1856mm)
85-1/16"	(2161mm)
97-1/16"	(2465mm)

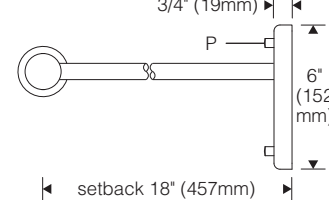
Cantilever with Cable Tieback

1:8 Scale



Cantilever with Rectangular Canopy

1:8 Scale



setback 18" (457mm)
y = ht. to cable anchor at least 1/2 length of arm

3-3/8"W x 4-1/2"H
(86 x 114mm)

setback 18" (457mm)

Specifications

- | | | | |
|--------------------------------|--|---|----------------------------------|
| A Aluminum canopy | E Aluminum hub (1.5" dia. x 1" wide) | H Holographic diffuser | L Aluminum anchor plate |
| B Slip ring | F Extruded aluminum heat sink/housing | J Field serviceable light engine with fraqtir™ asymmetric optic | M Adjustable cable glider |
| C Tubular aluminum stem | G Impact-resistant extruded lens | K Aluminum decorative end plate | N 1/16" dia. 7x7 cable |
| D Optical assembly | | | O Aluminum cover plate |
| | | | P Chrome cap nuts |
| | | | Q Cable hanger |

Optic Assembly:

Two-piece extruded aluminum heat sink/optic housing. Exterior heat sink anodized for maximum emissivity. Removable interior extrusion treated to maximize thermal conductivity. Precision formed asymmetric optical light bar of high temperature, water-clear acrylic. Extruded impact resistant, high temperature, acrylic outer protective lens. Elliptical distribution holographic diffuser captured within outer protective lens; maximizes lateral distribution without disturbing asymmetric forward throw.

Finish:

Extruded aluminum heat sink/housing bright anodized, white or black finish. Formed aluminum canopy, adjustable back bracket, end plates finished white, black or anodized.

Painted surfaces – 6 stage pretreatment and electrostatically applied thermoset polyester powder coating for a durable abrasion, fade and corrosion resistant finish.

All hardware – stainless steel or nickel plated brass.

Mounting:

Pendant or cantilever mounting hangers (ordered separately); specify end and intermediate hangers. Cantilever with

1/16

U.S. Patent 8,465,190; foreign patents pending

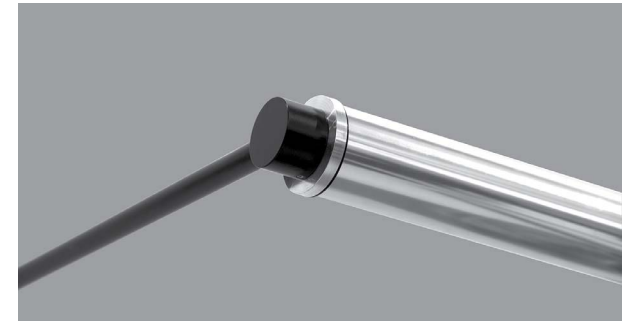
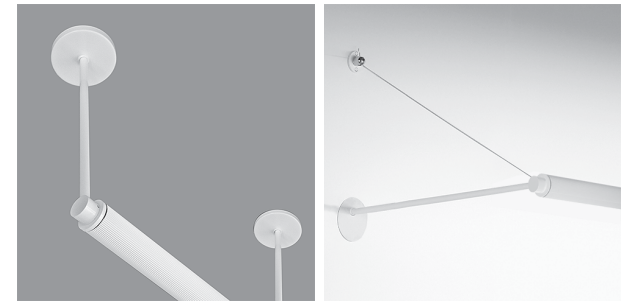
rectangular wall plate mounts over recessed outlet box (suitable backing structure required). Adjustable interface plate (concealed under canopy) allows for leveling of arms. Cantilever with oval wall plate mounts over 2" x 3" recessed switch box, cable tieback provided.

Electrical:

Units are furnished with 10 foot (2438mm) leads for connection to remote driver Class II output. Remote electronic HPF thermally protected Class II driver mounted in aluminum enclosure. For complete driver specifications, see website, reference document MA-1303. Optional electronic dimming driver; compatible dimming controls (by others). See website for dimming compatibility and specifications.

Standard:

UL listed or CSA certified for dry locations. 5 year warranty, maximum ambient temperature 45°C (113°F).



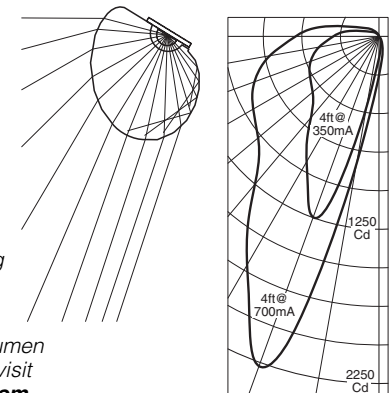
Features

- **fraqtir** technology – precise asymmetric optical control
- Wide distribution – great vertical and lateral uniformity
- Adjustable and lockable aiming
- Serviceability – removable light engine



Performance

fraqtir technology uses a combination of refraction and total internal reflection, creating a distribution of light ideal for illuminating surfaces uniformly. Glare is minimized while light delivered to the target is maximized, resulting in high efficiency.



For photometric and lumen maintenance reports, visit thelightingquotient.com

L90(10k) > 60,000 hrs @ 25°C per TM-21



