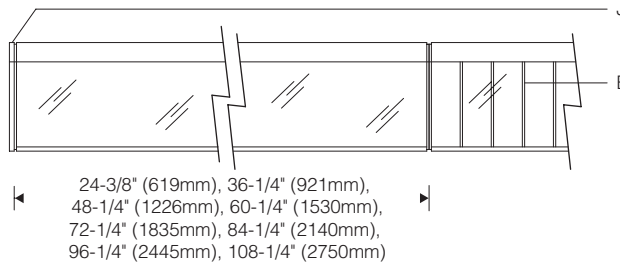
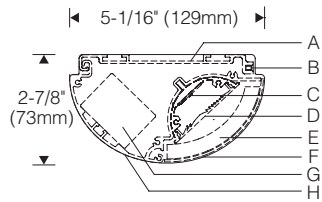
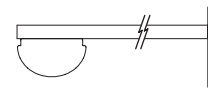


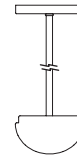
Style S144 1:5 Scale



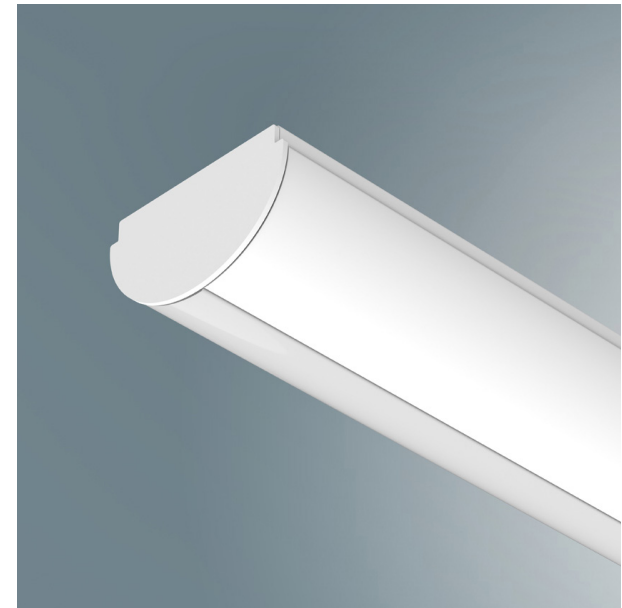
Hangers (X Mount):
Cantilevers



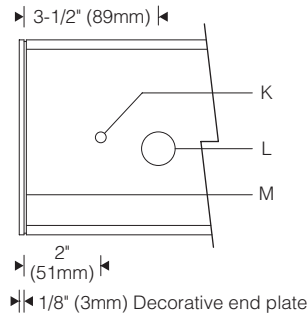
Pendant Stems



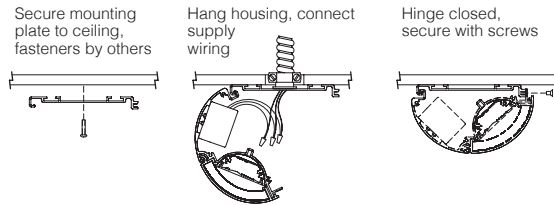
Cables



Top View (S Mount) 1:5 Scale



Installation (S mount)



Specifications

- | | | | |
|---|---|---|---|
| A Extruded aluminum mounting plate | D Extruded acrylic beam shaping lens | G High power factor constant current electronic driver | K Mounting hole 9/32" (7mm) diameter |
| B Closure screws | E Optional cross baffle (gray) | H Extruded aluminum housing | L Knockout 7/8" (22mm) diameter |
| C Serviceable light engine with mid-power LEDs | F Extruded acrylic hinging lens | J Aluminum end plates (required order separately) | M Aluminum reveal plate |

Features

- Inconspicuous low profile – lights entire wall evenly without emphasizing surface imperfections (unlike slot grazers)
- Compact size with integral driver
- Asymmetric distribution — evenly lights vertical surfaces
- Light engines are serviceable in one foot increments



Finish:

Painted surfaces – 6 stage pretreatment and electrostatically applied thermoset powder coat for stable, long lasting and corrosion resistant finish. Extruded aluminum mounting plate, housing, aluminum reveal plates. Reflector and internal end plates. All luminaire hardware – stainless steel.

Optic Assembly:

Light engine – extruded aluminum heat sink with LED PCB. Multiple mid-power LEDs are tightly spaced to minimize pixelation. Light engines are removable for replacement or upgrade in one-foot increments. Precision extruded optical lens of high temperature, water-clear acrylic. Elliptical distribution holographic diffuser maximizes lateral distribution without disturbing asymmetric distribution.

Mounting:

S mount – mounting plate fastens flush to ceiling. Unit hinges on plate for hands-free access to wiring.

X mount – required hanger assemblies for pendant stem, cable or cantilever ordered and priced separately (see pg. SW17.1). For shelf supported bridge or cantilever, consult factory.

Pendant stem – 11/16" O.D. aluminum, internally threaded; 5" dia. aluminum canopy. *Cable* – 1/16" dia. 7x7 aircraft cable, field adjustable length; crossbar with 1/4-20 stud and 5" dia. canopy. Fixture weight: 2.7 lb/ft (4.0 kg/m).

Electrical:

Use 90°C wire for supply connections. Integral electronic HPF thermally protected Class 2 driver. For complete driver specifications, see website, reference document [MA-1303](#). Driver/wireway compartment includes one conduit entry at each end. Channel cover is removable for access to driver and wiring. Luminaires may be butted end-to-end (connectors by others) for through wiring. Optional #12 AWG prewired modular through-wiring with quick connectors. Optional, compatible dimming controls (by others). See website for dimming compatibility and specifications.

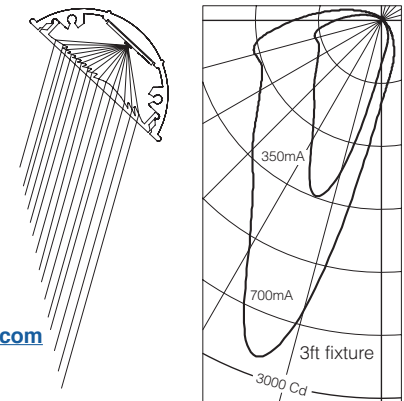
Standard:

UL listed or CSA certified for dry location. For damp locations, specify **DL**, **DB**, **DK**, or **DC** option. 5 year warranty, maximum ambient temperature 45°C (113°F).

Performance

Precisely extruded acrylic lens produces an asymmetric distribution ideal for illuminating vertical surfaces evenly from top to bottom.

For LM79 and photometric reports, visit thelightingquotient.com



L90(10k) > 60,000 hrs. @ 25°C per TM-21



