

\*Shown on wire shelving - see page D-1.2 for details.

**Specifications**

- |   |   |   |  |
|---|---|---|--|
| <b>A</b> Symmetrical indirect lighting module (semi-specular white reflector) | <b>C</b> Machined aluminum knob (AGF finish end kit for F502) | <b>F</b> Conduit entry (conduit & through wiring by others) | <b>J</b> Extruded aluminum asymmetric reflector with preset & locked aiming (merchandise lighting) |
| <b>B</b> Die cast aluminum end plate (F500 – stamped contoured end plate)     | <b>D</b> Formed steel slotted style mounting arm              | <b>G</b> Shelving upright (see page D-1.2 for details)      | <b>K</b> Extruded ballast/wireway cover (hinges for access)  |
|   | <b>E</b> Extruded aluminum ballast housing/wireway            | <b>H</b> Aluminum reveal plate, black (F502 only)           | <b>L</b> Optional 12' cord & plug  |

**Finish:**

Style 500 contoured – bright aluminum reflector with end plates and ballast housing finished semigloss white or black. Or all exterior surfaces finished semigloss white or black. Style 502 smooth – semigloss white reflector, end plates and ballast housing. RAL/custom colors available, consult factory. Painted surfaces – 6 stage pretreatment and electrostatically applied thermoset powder coat for stable, long lasting finish. Reflector – extruded high purity aluminum with clear anodized specular finish. All luminaire hardware – stainless steel.

**Mounting:**

Arms mate with many slotted standard or wire shelving systems with uprights spaced 36", 48", 72" or 96". Also available for wall mount. Arms support reflector and ballast compartment and are installed side-by-side to form rows. Standard arm style is slotted. **For custom arm, modified length or use on other display systems, consult factory.**

**Electrical:**

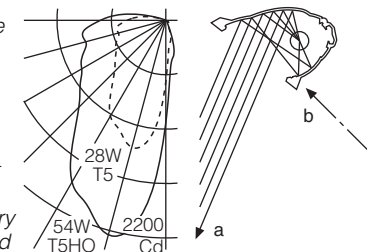
Use 90°C wire for supply connections. Integral electronic HPF thermally protected class P ballast with end-of-life protection. Uplight units supplied with additional integral electronic ballast to allow separate switching of uplight and merchandise (downlight) lamps. Ballast housing/wireway includes one 7/8" dia. conduit entry at each end. Cover hinges down for access to ballast(s) and wiring. Luminaires may be butted end-to-end for through wiring. Optional #12 AWG prewired modular through wiring with quick connectors. Additional conduit entries may be field-drilled in bottom or back of ballast housing/wireway as required. Optional 12' cord and plug powers individual units from convenience outlets (by others). Optional integral emergency battery operates one lamp. Separate unswitched supply is required. **Standard:** UL listed or CSA certified.

**Features**

- 1 The **elliptipar** asymmetric reflector drives light to the bottom shelves – places the focus on the merchandise
- 2 Indirect reflector provides glare free ambient illumination
- 3 Modular MR-16 accentlight kit creates warm highlights on featured products – gimbals snap into the reflector
- 4 Wall upright kit lights the wall or signage/graphics above

**Performance**

Two parabolic reflector sections drive light to the bottom of the shelves and merchandise (a). An elliptical section shields the lamp from normal viewing angles (b) and redirects its light to a parabola. Glare is minimized and asymmetry of the beam is maximized resulting in high beam efficiency and superior surface uniformity.



For complete photometrics, visit [thelightingquotient.com](http://thelightingquotient.com)



**To form a Catalog Number**

F | 5 | 0 | - | - | - | - | - | - | - | - | / | V | G | - | - | - | - | - | - | - | - | - | - | - |

**1 2 3 4 5 6 7 8 9 10 / A B C D 10**

Project: \_\_\_\_\_

Type: \_\_\_\_\_

**1 Source**

F = Linear fluorescent

**2 Reflector Style**

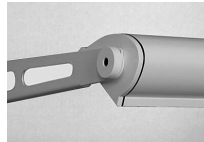
Note: Mounting arm finish is ordered separately.

500 = Contoured reflector

502 = Smooth reflector



shown in 81 bright and black finish with slotted arm



shown in 02 semigloss white with slotted arm

**3 Lamp Type**

R = T5 standard

S = T5HO high output

**4 Length**

Fixture Length (inches)	Lamp Wattage (Lamp Number)*	
	T5	T5 HO
36	21W (F21T5)	39W (F39T5/HO)
48	28W (F28T5)	54W (F54T5/HO)
72	2x21W (F21T5)	2x39W (F39T5/HO)
96	2x28W (F28T5)	2x54W (F54T5/HO)

\*Standard lamp color is 3000K/80+ CRI.

**5 Base Configuration**

D = Merchandise/shelf (down) light only

U = Merchandise/shelf (down) light with symmetrical indirect (up) light module

Note: Accentlight and wall uplight kits are ordered separately.

**6 Electrical**

C = 12' cord and parallel blade u-ground plug (convenience outlet by others). Note: powers individual unit only.

H = 1/2" conduit entries (ends) for hardwiring/through wiring

**7 Finish**

Style 500 Contoured

02 = Semigloss white

08 = Semigloss black

21 = Bright clear anodized reflector with semigloss white end plates and ballast housing

81 = Bright clear anodized reflector with semigloss black end plates and ballast housing

Style 502 Smooth

02 = Semigloss white

All Styles

99 = Custom RAL or computer matched color to be specified, consult sales representative

**8 Voltage/Ballast**

1 = 120V electronic

2 = 277V electronic

**9 Option** (See Accessories Section for specifications)

00 = No options

0E = Integral emergency battery pack with indicator lamp and test button. Operates one lamp. Note: Not available for 36" or 48" units with indirect module. Not for use with electrical code **C** – cord & plug.

0K = Prewired modular #12 AWG through wiring with quick connectors. Note: Not for use with electrical code **C** – cord & plug. For combination of emergency battery pack and prewired modular through wiring, consult factory.

XX = For modification not listed, include detailed description. Consult factory prior to specification.

**10 Destination Requirement**

0 = UL listed or CSA certified for U.S.

J = UL listed or CSA certified for Canada

**Mounting Arms**

Mounting arms are specified and ordered separately. One pair required for each gondolier base luminaire.

**A Shelving System**

Includes one pair. Complete specifications on page D-1.2.

VGA = Slotted shelving standards – Lozier and compatibles

VGB = Wire shelving – Metro Super Erecta, Super Adjustable, quikSLOT and compatible systems

VGW = Wall mount (suitable backing structure required)

Note: Mounting arms for other shelving and display systems are available, consult factory.

**B Mounting Arm Style**

1 = Slotted arm 

**C Mounting Arm Length**

Standard arm lengths are listed on page R-1.2.

Note: For optimum performance, arm should position reflector approximately 18" in front of the shelves/merchandise.

**D Mounting Arm Finish**

02 = Semigloss white (matches Style F500 contoured with 02 or 21 finish; F502 smooth with 02 finish)

07 = Silver

08 = Semigloss black (matches Style F500 contoured with 08 or 81 finish)

99 = Custom RAL or computer matched color to be specified, consult factory

**Example**

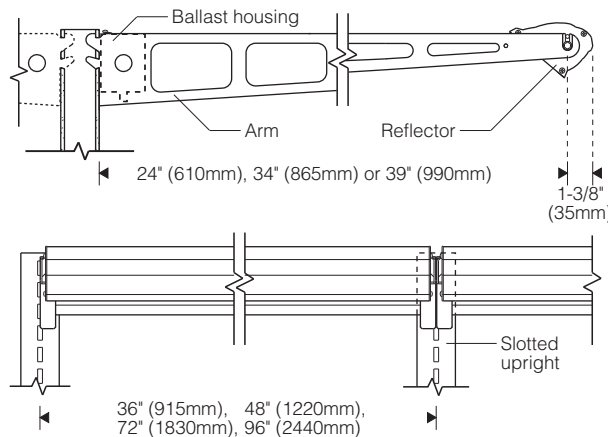
**F502 - S96U - H - 02 - 1 - 000 / VGB118020**

Small gondolier with smooth reflector for 54W T5HO lamps, consisting of merchandise (down) light reflector and indirect (up) module. 96" overall length. 1/2" entries (one at each end) to accept conduit or through wiring by others. Semigloss white. 120V electronic ballasts. UL listed or CSA certified for U.S. Pair of slotted style arms for wire shelving, fits 18" deep shelves – 34" arm length, finished semigloss white.





**Arms for Slotted Shelf Standards** 1:10 Scale



**Application:**

Mounting arms mate with uprights spaced 36", 48", 72" or 96" on center with 3/4" high x 11/32" wide x 1" vertically centered mounting slots. Lozier or compatible systems. Arms are locked when in the horizontal position.

**Other slotted standards are available, consult factory.**

**A Mounting Arms**

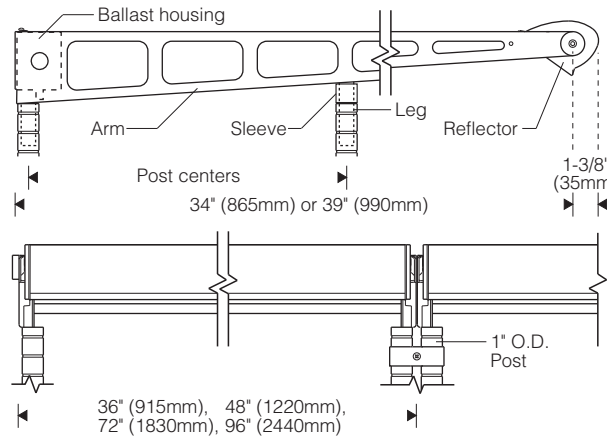
**VGA = gondolier** arms, one pair, for slotted shelving standards

**C Mounting Arm Length**

- 24** = 24" arm (for slat, grid, peg or other display walls with merchandise up to 8" deep maximum)
- 34** = 34" arm (for shelves up to 18" deep)
- 39** = 39" arm (for shelves 19" to 24" deep)



**Arms for Wire Shelving** 1:10 Scale



**Application:**

Mounting arm legs insert into tops of 1" O.D. (0.87" I.D. min.) posts for nominal 18", 21" or 24" shelves (16.66", 19.66" or 22.66" centers front-to-back respectively). Metro Super Erecta, Super Adjustable, quikSLOT or compatible systems.

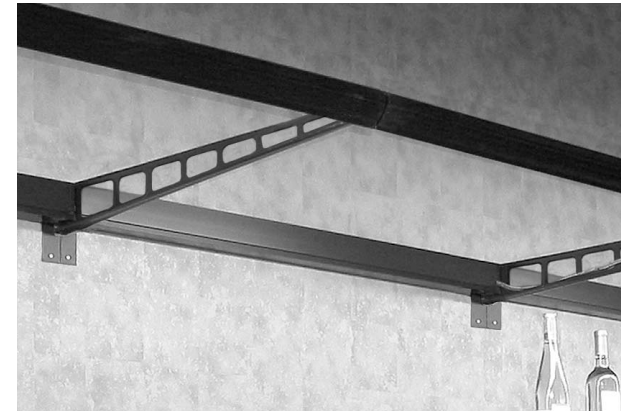
**For other post sizes and/or spacings, consult factory.**

**A Mounting Arms**

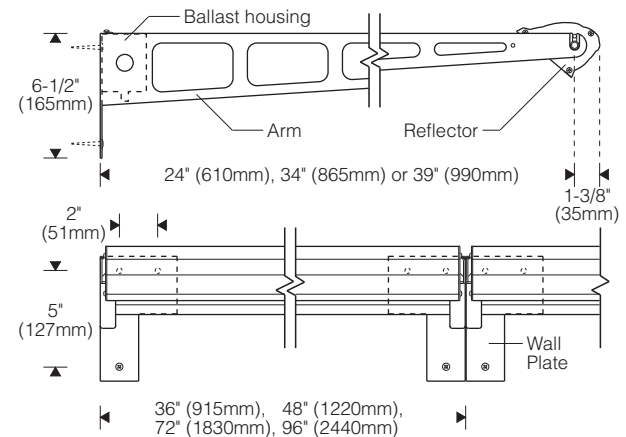
**VGB = gondolier** arms, one pair, for wire shelving

**C Depth of Shelving**

- 18** = fits 18" deep shelves (16.66" centers) – 34" arm
  - 21** = fits 21" deep shelves (19.66" centers) – 39" arm
  - 24** = fits 24" deep shelves (22.66" centers) – 39" arm
- Note:** Not for use with 14" shelves; for 30" and 36" shelves, consult factory.



**Arms for Wall Mount** 1:10 Scale



**Application:**

Mounting plate fastens flush to wall. #10x1-3/4" S.S. flat head wood screws with plastic caps provided (3 per arm). Adjacent units in a row butt together.

**Suitable backing structure is required (by others).**

**A Mounting Arms**

**VGW = gondolier** arms, one pair, for wall mount

**C Mounting Arm Length**

- 24** = 24" arm (for slat, grid, peg or other display walls with merchandise up to 8" deep maximum)
- 34** = 34" arm (for shelves up to 18" deep)
- 39** = 39" arm (for shelves 19" to 24" deep)



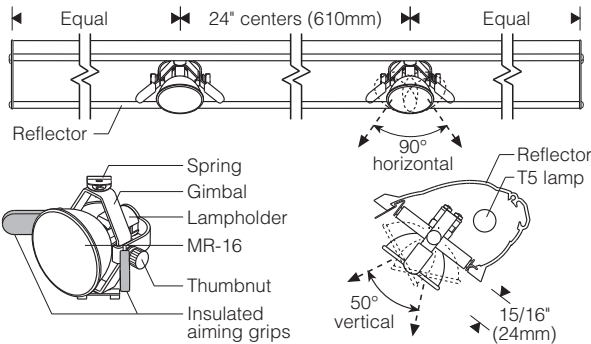
## To Order

Modular kits and accessories ordered separately.

**gondolier®**

**Styles 500/502**

### Modular Accentlights



#### Application:

Creates sparkle and warm highlights on featured items.

#### Specifications:

Formed aluminum gimbal rings (2) snap into **gondolier** reflector. Black finish. 100W electronic 12V transformer with auto-reset short circuit/overload protection, fuse on primary; mounts in ballast compartment. For use with 50W lamps with protective cover glass, that are suitable for open fixtures.\*

#### To form a Catalog Number:

**AGA 250T** | **0** | = Modular accentlight kit, 2 lamps

| **10** Destination Req.: **0** = U.S., **J** = Canada

| **8** Voltage (input): **1** = 120V, **2** = 277V

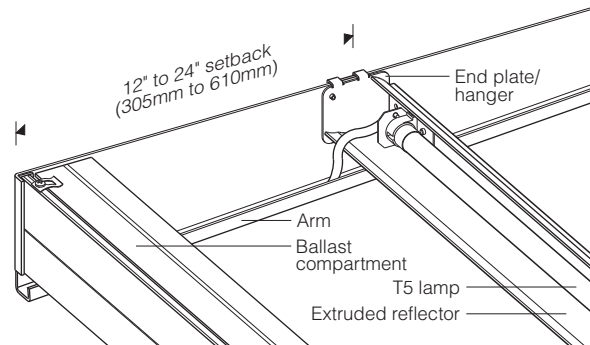
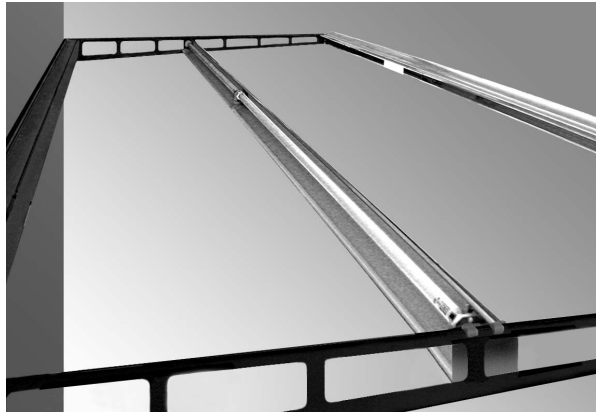
**250T** = For use with (2) 50W MR-16 lamps NOT included. Narrow spot (EXT) aluminized lamps are recommended.\*

**Note:** Fits all reflector lengths. **96" units accommodate 2 kits.**

Example: **AGA250T100** = Modular accentlight kit for (2) 50W MR-16 lamps (not included). 120V (input), UL listed or CSA certified for U.S.

**Patents pending**

### Modular Wall Uplight



#### Application:

Creates broad wash of light up the wall or signage/graphics above the display; supplements perimeter lighting.

#### Specifications:

Extruded aluminum reflector with specular finish; exterior painted to match base **gondolier**. Stamped end plates clip onto arms (12" to 24" from back of display). Electronic ballast with end-of-life protection mounts in ballast compartment.

#### To form a Catalog Number:

**AGW** | | | | = Modular wall uplight kit,

| | | | **10** Destination Req.: **0** = U.S., **J** = Canada

| | | | **8** Voltage: **1** = 120V, **2** = 277V

| | | | **7** Finish: match base finish code

| | | | **4** Length: **36** = 36", **48** = 48", **72** = 72", **96** = 96"

| | | | **3** Lamp type: **R** = T5, **S** = T5HO

Example: **AGWS960210** = Modular wall uplight kit, 2 x 54W T5HO lamps, 96", semigloss white, 120V, UL listed or CSA certified for U.S.

### Accessories

#### To form a Catalog Number:

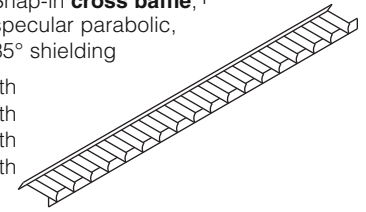
**ABSG** | | **00** = Snap-in cross baffle, + specular parabolic, 35° shielding

**36** = 36" length

**48** = 48" length

**72** = 72" length

**96** = 96" length



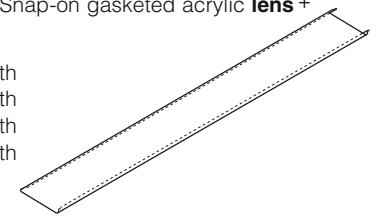
**ALSG** | | **00** = Snap-on gasketed acrylic lens +

**36** = 36" length

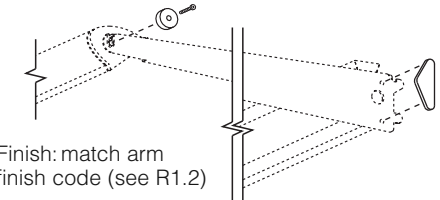
**48** = 48" length

**72** = 72" length

**96** = 96" length



**AGFO** | | **0** = Finish end kit. Order one kit for each row or each individually mounted unit.



**0** = Style F500 contoured

**2** = Style F502 smooth

+ Not for use in combination with **AGA** modular accentlights.

\* **gondolier** accentlight kit lamps – **elliptipar** strongly recommends the use of aluminized reflector type MR-16 lamps (not dichroic reflector type). The opaque coating reduces heat to the rear of the lamp and minimizes "backglow" or stray light that may cause undesired reflections in the fluorescent reflector. 50W maximum.

**elliptipar®**

there is no equal™

elliptipar from The Lighting Quotient  
114 Boston Post Road, West Haven, Connecticut 06516, USA  
Voice 203.931.4455 • Fax 203.931.4464 • [thelightingquotient.com](http://thelightingquotient.com)

Certain products illustrated may be covered by applicable patents and patents pending. These specifications supersede all prior publications and are subject to change without notice. Copyright © 2015 Sylvan R. Shemitz Designs, LLC, all rights reserved.