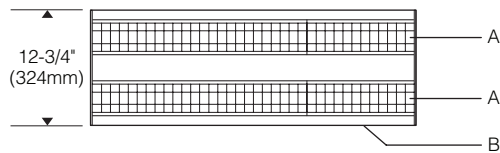
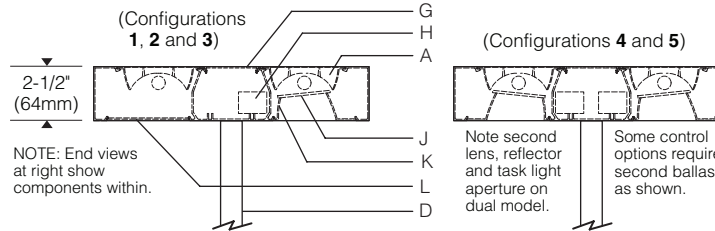


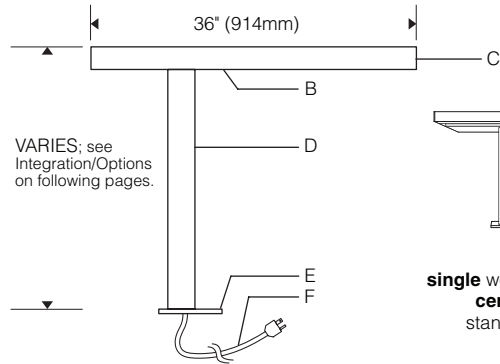
Top View



Luminaire End Views

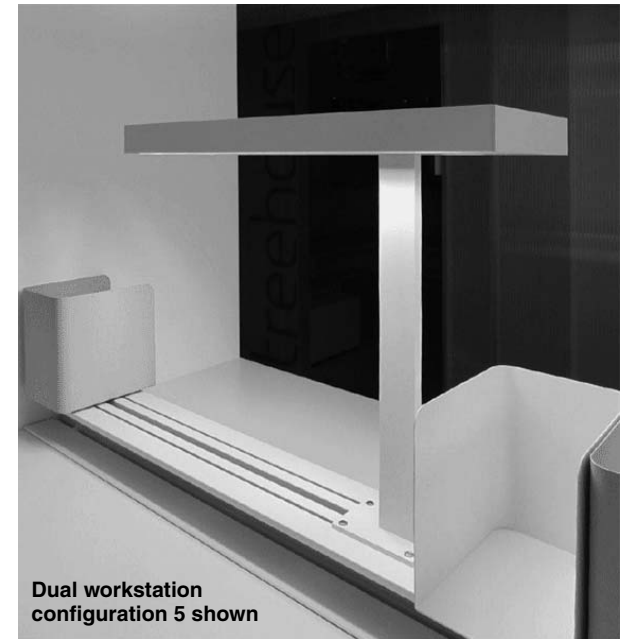
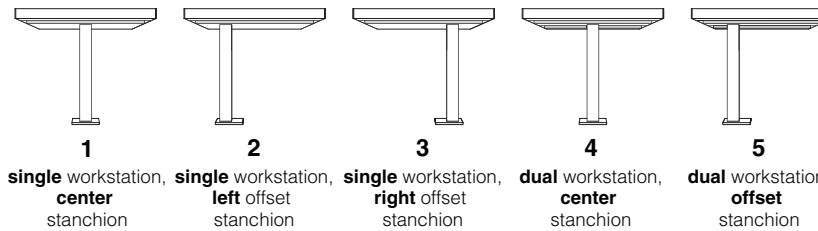


Side View



Configurations

NOTE: All configurations have two lamps and two uplight apertures.



Dual workstation configuration 5 shown

Specifications

- | | | | |
|--|---|---|--|
| A Specular parabolic louver; injection molded polycarbonate; remove to access lamps | C Aluminum decorative end plates | F Grounded power cord with molded plug | J Linear prismatic acrylic lens |
| B Extruded aluminum housing | D Extruded aluminum stanchion, 1" x 3" (25mm x 76mm) | G Extruded aluminum ballast access cover | K Specular extruded aluminum reflectors |
| | E Aluminum base plate | H Electronic ballast | L Extruded aluminum bottom panel |

Finish:

Painted surfaces – 6-stage pretreatment and electrostatically applied baked powder enamel for stable, long lasting and corrosion resistant finish.

Louvers – specular vacuum metalized finish with clear polymer topcoat.

Reflectors – extruded high purity aluminum with clear anodized specular finish.

Mounting:

Standard base plate is aluminum with countersunk holes for attachment to rigid work surfaces. System-specific bases integrate with benching workstations and modular furniture panels. Consult factory for custom integrations.

Electrical:

Integral electronic HPF thermally protected class P ballast(s), 120 volt. Grounded power cord with molded plug. Optional integral black on/off rocker switch.

Optional electronic dimming ballast(s), personal rotary dimmer(s), and daylight sensor(s).

Optional integral wireless controller.

Lamps:

3500K high output T5. 3000K and 4100K lamps available upon request.

Standard:

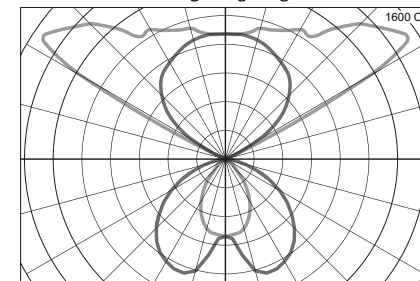
UL listed.

Features

- Dual workstation luminaire delivers task and ambient lighting from every lamp for maximum light utilization, balanced luminance ratios and energy savings
- T5HO lamping and low-brightness optics for precise optical control
- Simple all-in-one lighting solution eliminates ceiling luminaires and task lights

Performance

Unique uplight louver achieves a widespread batwing distribution for superior ceiling uniformity and visual comfort. Downlight reflectors and lens provide personal, low-glare workstation task lighting. Lighter curve shows 180° to 0°.



Darker curve shows 90° to 270°.

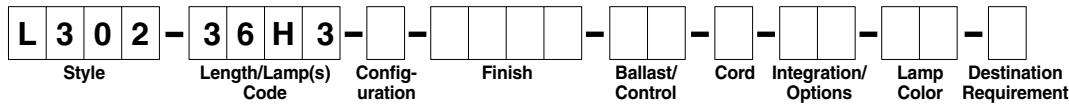
For complete photometrics, see thelightingquotient.com.



Sample number: L302-36H3-4-02PL-T3-3-00-35-0

Project: _____

Type: _____



Style

L302 Task ambient luminaire with crisp rectangular profile, 2-1/2" x 12-3/4" (64mm x 324mm). Includes integral stanchion and mounting base (shipped fully assembled). Two lamps in cross section.

Length/Lamps

36H3 36" long housing with (2) F39T5HO lamps

Configuration (see Specifications diagram)

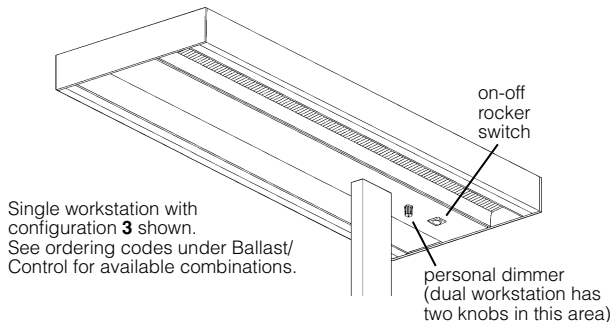
- 1** Single workstation with **center** stanchion (1 bottom aperture and 2 top apertures)
- 2** Single workstation with offset stanchion **left** (1 bottom aperture and 2 top apertures)
- 3** Single workstation with offset stanchion **right** (1 bottom aperture and 2 top apertures)
- 4** Dual workstation with **center** stanchion (2 bottom apertures and 2 top apertures)
- 5** Dual workstation with **offset** stanchion (2 bottom apertures and 2 top apertures)

Finish

- 02PL** White housing with platinum stanchion
- 0202** White housing with white stanchion
- PLPL** Platinum housing with platinum stanchion
- 0808** Black housing with black stanchion
- XXXX** Custom color match



Control Option Locations



Ballast/Control

- 11** 2-lamp 120V electronic ballast
- 12** 2-lamp 120V electronic ballast with on-off switch
- T1** 120V dimming ballast with personal dimmer (C4 and C5 have two dimming ballasts and two dimmers)
- T2** 120V dimming ballast(s) with personal dimmer(s) and one on-off switch
- T3** 2-lamp 120V dimming ballast with adjustable daylight response sensor
- T4** 120V dimming ballast(s) with personal dimmer(s) and adjustable daylight response sensor(s)
- TH** 2-lamp 120V dimming ballast with dimming cable for connection to wireless daylight and occupancy response control hub. Order hub and sensors separately.
- TW** 2-lamp 120V dimming ballast with EnOcean receiver for wireless daylight, occupancy and manual dimming control. Order remote wireless daylight sensor(s), occupancy sensor(s), and manual rocker switch(es) separately. Also compatible with CLT Active Circuit Transmitters, CPP Transmitting Power Packs, and other EnOcean devices.
Note: Does not provide personal dimming for dual workstations.
- TX** Other dimming application (specify, e.g. Lutron EcoSystem)

Cord

- 1** Black cord with 90° SW rotation plug, NEMA 5-15P
- 2** Black cord with straight molded plug, NEMA 5-15P
- 3** Gray cord with 90° SW rotation plug, NEMA 5-15P
- 4** Gray cord with straight molded plug, NEMA 5-15P
- 9** International power cord (specify)

Integration/Options (see diagrams pgs. TA9.2-TA9.3)

- Luminaires can be specified for mounting to specific furniture manufacturers' products. See available ordering codes on pages TA9.2 and TA9.3. For an integration not listed, use custom code below.
- XX** Custom integration; consult factory

Lamp Color

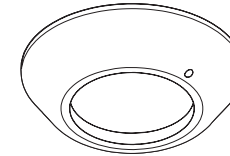
- 30** 3000K, 85 CRI
- 35** 3500K, 85 CRI
- 41** 4100K, 85 CRI
- NL** Lamps not included
- XX** Non-standard lamp included (specify lamp when ordering)

Destination Requirement

- 0** UL listed or CSA certified for U.S. and Canada
- X** Custom modification

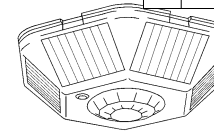
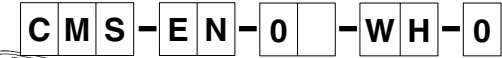
Accessories

Self-powered Wireless Daylight Sensor: CLS-EN-02-WH-0



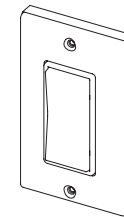
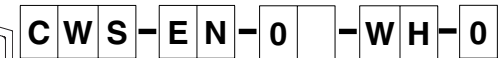
For use with Ballast/Control codes TH and TW. Communicates with an unlimited number of in-fixture controllers and CCH dimming control hubs. See data sheet CO2 for product details.

Self-powered Wireless Motion Sensor



For use with Ballast/Control codes TH and TW. Communicates with an unlimited number of in-fixture controllers and CCH dimming control hubs. See data sheet CO1 for product details.
CMS-EN-03 for large motion, 1900 sq.ft.
CMS-EN-04 for small motion, 1000 sq.ft.

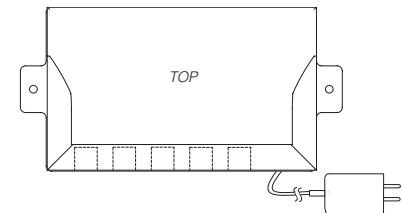
Self-powered Wireless Dimming Switches



For use with Ballast/Control codes TH and TW. Communicates with an unlimited number of in-fixture controllers and CCH dimming control hubs. See data sheet CO3 for product details.
CWS-EN-03 for single switch (shown);
CWS-EN-04 for dual switch.

Wireless Dimming Control Hub: CCH-EN-02-GR-0

For Ballast/Control code TH. Mounts under work surface to receive input from one photo and one or more occupancy sensors. Controls up to 16 luminaires via 5 RJ11 dimming ports. See data sheet CO5 for product details.

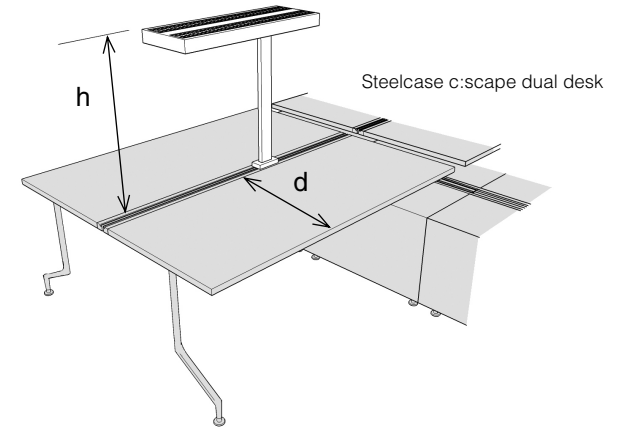
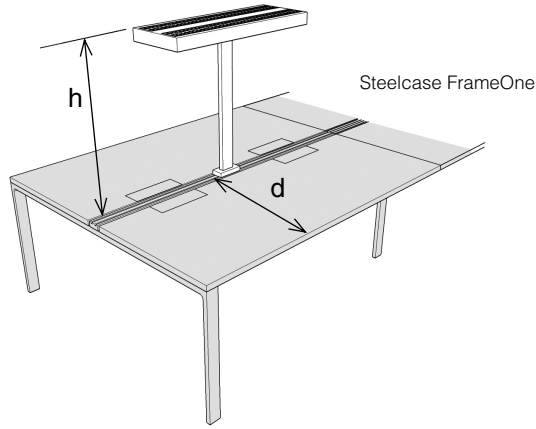
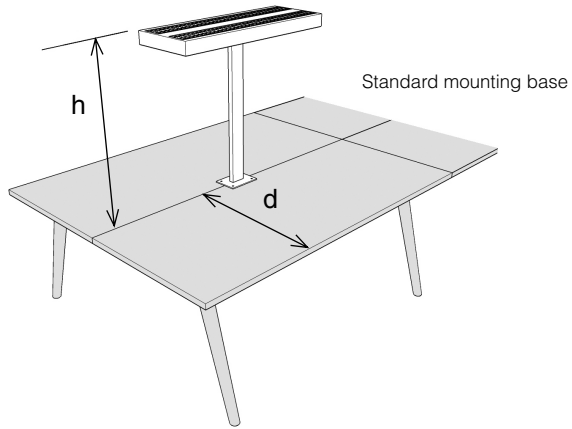


Compatible controls and sensors. See controls data sheets for additional control accessories and systems from The Lighting Quotient.



tambient from The Lighting Quotient
114 Boston Post Road, West Haven, Connecticut 06516, USA
Voice 203.931.4455 • Fax 203.931.4464 • thelightingquotient.com

Certain products illustrated may be covered by applicable patents and patents pending. These specifications supersede all prior publications and are subject to change without notice. Copyright © 2013 Sylvan R. Shemitz Designs, Inc., all rights reserved.



Standard Mounting Base	
d = 24" to 28"	h
00 Standard mounting base N	30"
d = 29" to 33"	h
50 Standard mounting base W	33"

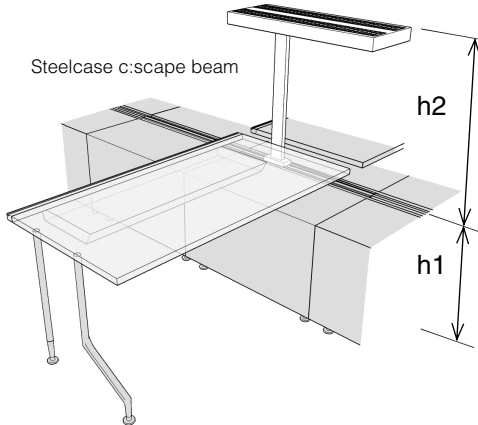
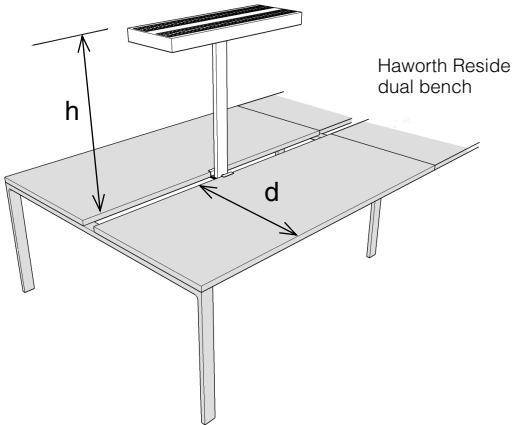
Notes:
 1. Configuration 4 luminaire shown.
 2. Mounting hardware by others.

Steelcase FrameOne	
d = 24" to 28"	h
01 FrameOne N	30"
d = 29" to 33"	h
51 FrameOne W	33"

Notes:
 1. Configuration 4 luminaire shown.
 2. Mounting hardware included.

Steelcase c:scape Dual Desk	
d = 24" to 28"	h
02 c:scape dual desk N	30"
d = 29" to 33"	h
52 c:scape dual desk W	33"

Notes:
 1. Configuration 5 luminaire shown.
 2. Mounting hardware included.
 3. Not for use on single desks.



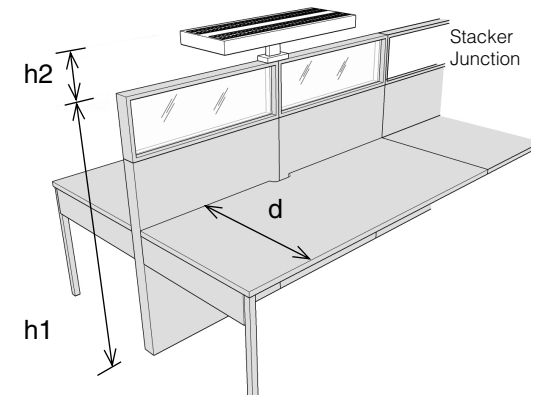
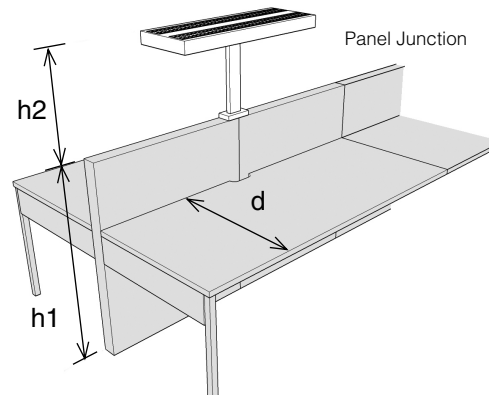
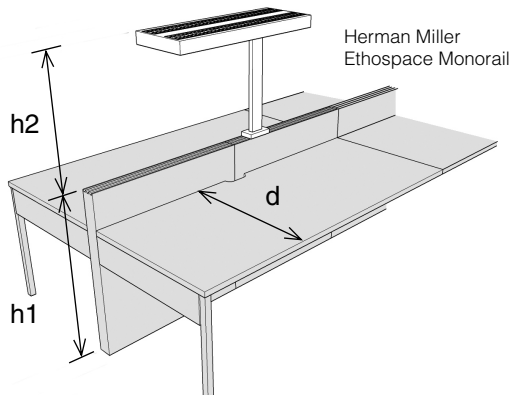
Haworth Reside Dual Bench	
d = 24" to 28"	h
06 Reside dual bench N	30"
d = 29" to 33"	h
56 Reside dual bench W	33"

Notes:
 1. Configuration 4 luminaire shown.
 2. Mounting hardware by others.
 3. Not for use on single-sided Reside bench workstations.

Steelcase c:scape Beam		
	h1	h2
03 c:scape beam	24"	35-1/2"

Notes:
 1. Configuration 5 luminaire shown.
 2. Mounting hardware included.





Herman Miller Ethospace Monorail			
d = 24" to 28"		h1	h2
11	HM Ethospace monorail N30	30"	28"
12	HM Ethospace monorail N38	38"	20"
13	HM Ethospace monorail N46	46"	12"
d = 29" to 33"		h1	h2
61	HM Ethospace monorail W30	30"	31"
62	HM Ethospace monorail W38	38"	23"
63	HM Ethospace monorail W46	46"	15"

Notes:
 1. Configuration 5 luminaire shown.
 2. Mounting hardware included.

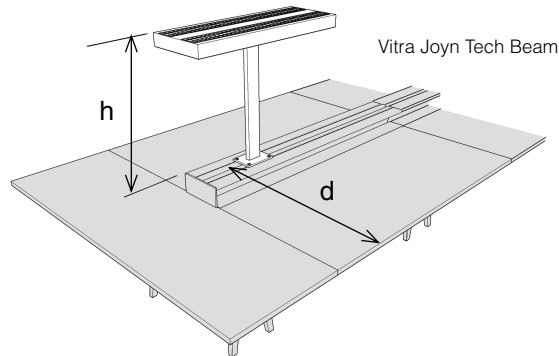
Panel Junction			
d = 24" to 28"		h1	h2
04	Steelcase Answer Thin N42	42"	16"
07	Haworth Compose N42	42"	16"
08	Haworth Compose N50	50"	8"
09	Inscape N29	29"	29"
10	Inscape N37	37"	21"
d = 29" to 33"		h1	h2
54	Steelcase Answer Thin W42	42"	19"
57	Haworth Compose W42	42"	19"
58	Haworth Compose W50	50"	11"
59	Inscape W29	29"	32"
60	Inscape W37	37"	24"

Notes:
 1. Configuration 4 luminaire shown.
 2. Luminaire must be positioned at in-line panel junction.
 3. Requires modified length panel top caps by others.

Stacker Junction			
d = 24" to 28"		h1	h2
05	Steelcase Answer Thin glass stacker N54	54"	6"
d = 29" to 33"		h1	h2
55	Steelcase Answer Thin glass stacker W54	54"	9"

Notes:
 1. Configuration 4 luminaire shown.
 2. Luminaire must be positioned at in-line stacker junction.
 3. Requires modified length stacker top caps by others.

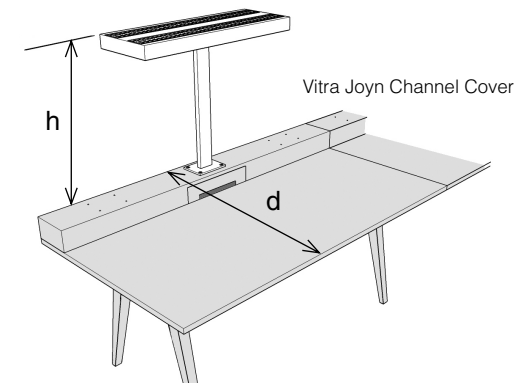
TA
9.3



AT LEFT

Vitra Joyn Tech Beam		
d = 24" to 28"	h	
14	Joyn Tech Beam N	25-3/4"
d = 29" to 33"	h	
64	Joyn Tech Beam W	28-3/4"

Notes:
 1. Configuration 4 luminaire shown.
 2. Base accepts Tech Beam 1/4-turn mounting fasteners by others.



Vitra Joyn Channel Cover		
d = 24" to 28"	h	
15	Joyn channel cover N	25-3/4"
d = 29" to 33"	h	
65	Joyn channel cover W	28-3/4"

Notes:
 1. Configuration 1 luminaire shown.
 2. Mounting hardware by others.