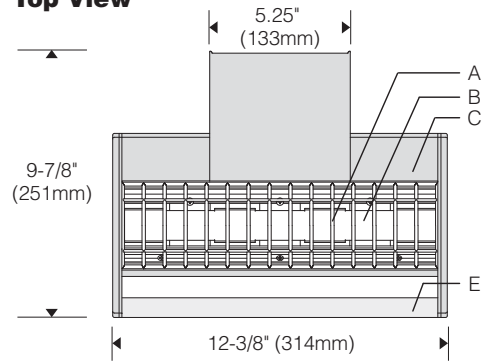
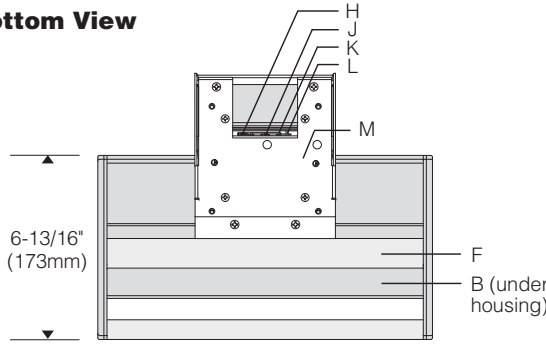


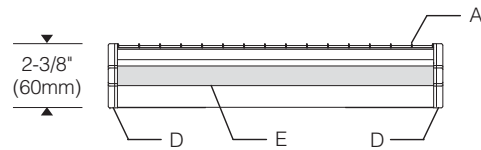
**Top View**



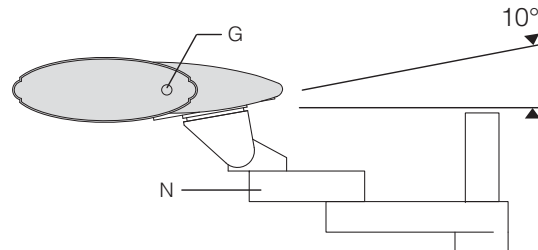
**Bottom View**



**Front View**



**Side View**



**Specifications**

- |  |   |   |  |
|--|---|---|--|
| <b>A</b> Injection molded polycarbonate louver | <b>D</b> Aluminum decorative end plates               | <b>G</b> Pushbutton switch/dimmer (both ends) | <b>L</b> 24V power inlet, accepts 5.5 x 2.1mm barrel connector |
| <b>B</b> Holographic diffusers                 | <b>E</b> Extruded aluminum grab bar                   | <b>H</b> Private/shared mode switch           | <b>M</b> VESA mounting interface                               |
| <b>C</b> Extruded aluminum housing             | <b>F</b> Bright anodized extruded downlight reflector | <b>J</b> Motion sensor port                   | <b>N</b> VDT support arm (not included)                        |
|  |   | <b>K</b> Switch/dim port                      |  |

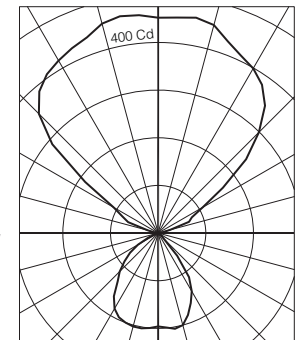
**Features**

- All-in-one task/ambient luminaire with universal VESA interface mounts to wide range of monitor arm supports
- Removable light engines for service and upgrade
- Mode switch supports shared and private office control strategies; independent control of uplight and downlight
- Connects to remote hub controller for wireless control by remote sensors and building automation systems

**Performance**

Unique uplight louver and indirect downlight system for visual comfort. Asymmetric forward-throw task light for broad coverage, and holographic diffusers to eliminate multi-shadow effects.

For complete photometrics and lumen maintenance reports, see [thelightingquotient.com](http://thelightingquotient.com).



**Finish:**

Painted surfaces: 6 stage pretreatment and electrostatically applied thermoset polyester powder for durable, fade and corrosion resistant finish. Uplight louver: semi-specular vacuum metalized finish with clear polymer topcoat. Downlight reflector: extruded high purity aluminum, clear anodized specular finish.

**Optical Assembly:**

Extruded aluminum heat sinks; light engines with holographic diffusers may be removed for service or upgrade. Indirect downlight system delivers sharp cut-off forward throw distribution to maximize task coverage and visual comfort.

**Mounting:**

Universal VESA mounting interface for monitor arm mounting plates with 75mm and 100mm hole patterns. Four (4) M4 x 8mm mounting screws provided. Set mounting plate at 10 degrees above horizontal for level installation. Contact factory for use on monitor arms with limited range tilt adjustment.

Weight of luminaire – 6 lbs. (2.7kg).

**Electrical:**

Power inlet for 24V 5.5 x 2.1mm barrel connector. Detachable 30-watt 120VAC/24VDC high power factor plug-in power supply included.

**Control:**

Integral solid state control circuit with mode switch for private and shared office applications. Private mode personal controls: end plate pushbuttons switch and dim uplight and downlight. Shared mode personal controls: end plate pushbuttons switch and dim downlight only. Switch/dim port for 24V remote switching and 0-10V remote dimming of uplight. Dimming range 100%-5%. Auto-off control of downlight in shared mode via under-desk occupancy sensor accessory. Sensor provides auto-off control of downlight and uplight in private mode. Integral standby timer provides 30 second auto-on period after vacancy time-out.

**Standard:**

UL listed or CSA certified for U.S. and Canada.



Sample number: L805-M063-V-PL-1-00-0-35-00

Project: \_\_\_\_\_

Type: \_\_\_\_\_

L	8	0	5	-	M	0	6	3	-	V	-			-	1	-			-	0	-	3	5	-	0	0
Style				Light Engine, Luminaire Output					Mount	Finish		Power Supply	Options		Destin. Req.	Color Temp.	Control									

**Style**

**L805** Compact solid state (LED) task/ambient luminaire with oval profile, integral grab bar, and universal VESA mounting interface

**Light Engine and Luminaire Output**

**M063** 63 mid-power Class 5630 emitters, 42 emitters up, 21 emitters down  
 Input: 30W maximum total, including power supply.  
 Output: Private Mode 1072 lm (up), 396 lm (down)  
 Shared Mode 858 lm (up), 396 lm (down)

**Mounting**

**V** VESA MIS-D interface (75x75mm and 100x100mm)

**Finish**

- 02** Eggshell white
- 08** Semigloss black
- PL** Semigloss platinum
- XX** Custom color match

**Power Supply**

**1** High-power factor 30W 120VAC/24VDC plug-in power supply with 36" SPT-2 power cord and NEMA 1-15P plug head. Includes detachable 72" 24-volt luminaire power cable with 5.5 x 2.1mm barrel connector.

**Options**

- 00** No options
- XX** Custom modification (specify)

**Destination Requirement**

**0** UL listed or CSA certified for U.S. and Canada

**Color Temperature**

**35** 3500K, 85+ CRI

**Control**

**00 Standard configuration**, includes:  
 Dimming range 100%-5% via pushbuttons and optional wireless CCH control hub.  
 Switch/dim port for 0-10V analog dimming override of uplight for daylight response, task tuning, and remote demand response via CCH wireless control hub (ordered separately). CCH also allows remote on/off control of luminaires plugged into unswitched power outlets.  
 Manual "ON" override via pushbuttons activates one-hour auto-off timer when fixture is in "OFF" mode. 10 second fade to "OFF" alerts user if additional time is needed.  
 Occupancy sensor port for use with CMS-RJ remote workstation motion sensor (ordered separately). Controls task light only in shared mode. Controls both task and ambient lights in private mode. Auto-off settings from 30 seconds to 30 minutes.

Independent end-of-life timers for task and ambient lights signal recommended light engine replacement after 50,000 hours of use.

**lighting facts**  
 A Program of the U.S. DOE

Light Output (Lumens)	1468
Watts	29.7
Lumens per Watt (Efficacy)	49
Color Accuracy Color Rendering Index (CRI)	82
Light Color Correlated Color Temperature (CCT)	3454 (Bright White)
LED Lumen Maintenance Projection at 25,000 Hours at 25°C Ambient*	86.77%
Warranty**	Yes

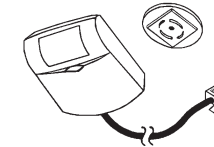
All results, except LED Lumen Maintenance, are according to IESNA LM-79-2008: Approved Method for the Electrical and Photometric Testing of Solid-State Lighting. The U.S. Department of Energy (DOE) verifies product test data and results.

\* Based on TM-21 projections for the light source.  
 \*\* See [www.lightingfacts.com/products](http://www.lightingfacts.com/products) for details.

Registration Number: 3HVJ-MKZ2RC (5/20/2014)  
 Model Number: L805-M063-V-EL02-1-00-0-35-00  
 Type: Luminaire - Desk/Task

**Accessories**

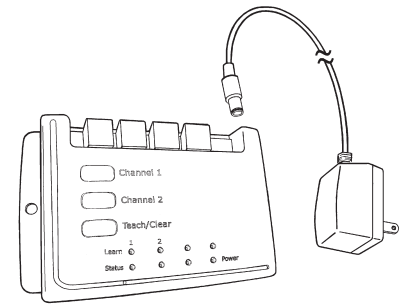
**Workstation Motion Sensor: CMS-RJ-00**



24V PIR motion sensor. Mount to underside of work surface with double-sided tape or screw (provided). Includes 9 ft. RJ11 interconnect cable. Cable extensions may be added, up to 100 ft. total maximum.

**Wireless Control Hub: CCH-EN-02**

Receives wireless input from one CLS photo sensor and one or more CMS motion sensors and CWS wall switch/dimmers. Also receives central commands via 902MHz EnOcean wireless gateways. Order sensors, switches and gateways separately. Connect up to 12 Style L805 luminaires via RJ11 interconnect cables and splitters. Order cables and splitters separately. See data sheet CO5 for product details.



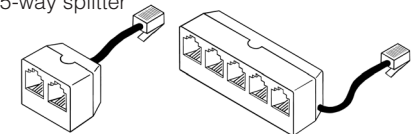
**RJ11 Interconnect Cables**

- RJ11-10-BK** = 10 ft. RJ11 cable, black
- RJ11-20-BK** = 20 ft. RJ11 cable, black
- RJ11-30-BK** = 30 ft. RJ11 cable, black



**RJ11 Splitters**

- RJ11-SP2** = RJ11 2-way splitter
- RJ11-SP5** = RJ11 5-way splitter



**Compatible controls and sensors.** See controls data sheets for additional control accessories and systems from The Lighting Quotient.

*Certain products illustrated may be covered by applicable patents and patents pending. These specifications supersede all prior publications and are subject to change without notice. Copyright © 2014 Sylvan R. Shemitz Designs, Inc., all rights reserved.*

