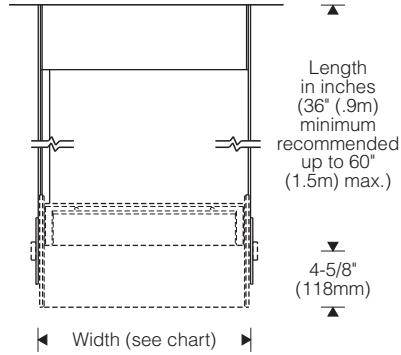
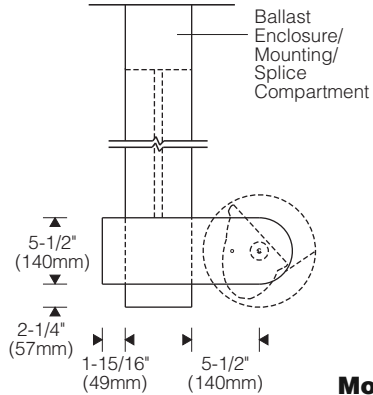


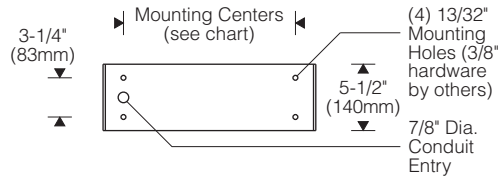
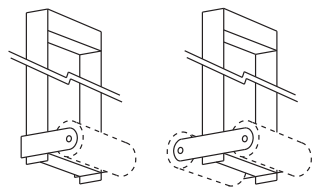
# Outdoor Accessories

## Cylinder Pendant uplighting

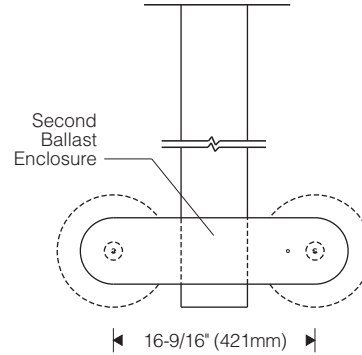
### One Way Pendant



### Mounting



### Two Way Pendant (Back to Back)



Wattage/ Lamps	Width	Mounting Centers
300-500W TH 150-400W MH	18" (457mm)	14-1/4" (362mm) (4 holes)
900, 1000W TH 2x400 MH	25-1/8" (638mm)	10-13/16" (275mm) (6 holes)

### Application:

Suspends one or two Style 153 large extruded cylindrical luminaires below a horizontal plane in an uplighting orientation. Ballast(s) are integral to the pendant assembly.

### Construction:

Extruded aluminum ballast enclosure(s) with gasketed aluminum cover plate(s). Upper enclosure also functions as mounting frame and splice compartment. 3/16" thick aluminum stems and sidearms. Stems join ballast enclosures at articulated black reveals with gaskets and concealed fasteners.

### Finish:

Electrostatically applied thermoset polyester powder coat in choice of semigloss colors.

### Ordering Information:

Order luminaire(s) separately, specify **X** mount. See Style 153 data page for complete ordering information.

**VO** \_\_\_\_\_ **0** = Outdoor uplight **cylinder pendant** (one- or two-way)

**Length** in inches up to 60" (1.5m) maximum

Finish: **02** semigloss white, **06** dark bronze, **07** silver, **08** semigloss black, **17** champagne, **18** copper

**D** = one way (nom. 18"), 300 – 500W TH; 150 – 400W HID

**E** = two way (nom. 18"), 300 – 500W TH; 150 – 400W HID

**F** = one way (nom. 24"), 900, 1000W TH; 2x400 HID

**G** = two way (nom. 24"), 900, 1000W TH; 2x400 HID

**U.S. Patents D366,536 and D430,324.**

