

**Large Ensconce® Pendant** four light, single stem

**Application:**

For use with four large Ensconce Style 404 uplights, each up to 400W metal halide or 500W tungsten halogen. Allows four-way pendant mounting in a simplified one-stem design.

**Construction:**

3" square aluminum tube stem attaches to ceiling mounting plate with a leveling plate. A square aluminum canopy conceals mounting and leveling plate and hardware. Ensconce base luminaires attach to the luminaire mounting frame. Remote ballast assemblies furnished with luminaires.

**Finish:**

Stem available in brushed anodized aluminum or semi-gloss white electrostatically applied thermoset polyester powder coat finish. Semi-gloss white ceiling canopy. Black luminaire mounting frame. Enclosure finish specified separately.

**Ordering Information:**

Order base luminaires and enclosures separately. See Style 404 data page for complete ordering information.

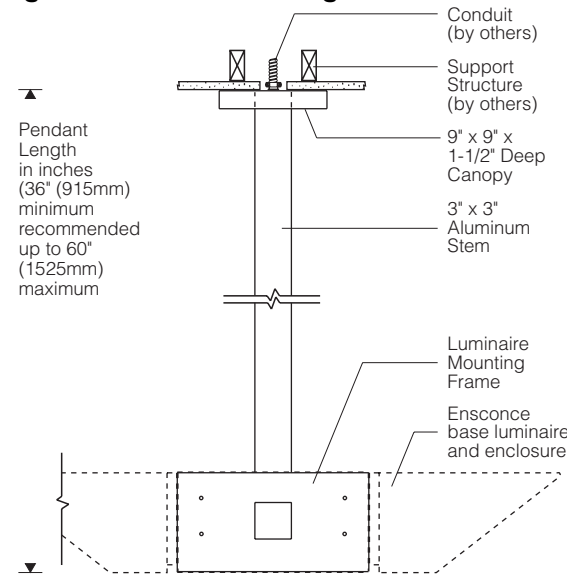
**EQL** | **4S** | = large **Ensconce pendant**  
4-light, single-stem

**0** = U.S.  
**J** = Canada

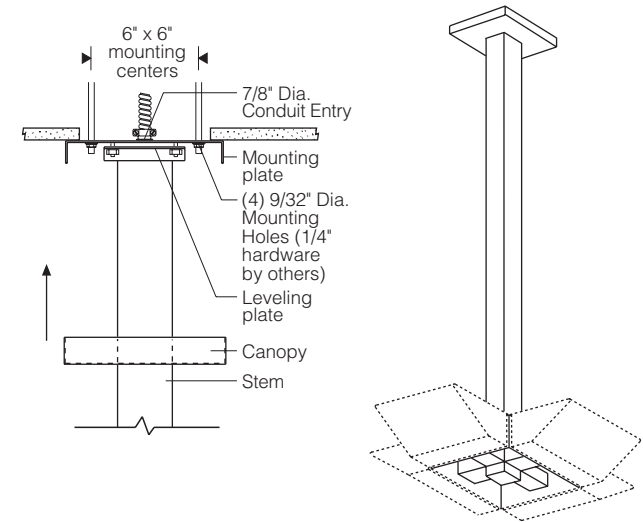
**Length** in inches up to 60" maximum

**01** = brushed anodized stem  
**02** = semi-gloss white stem

**Single Stem Pendant: 4-Light**



**Mounting**



**Application:**

Suspends one or two Style 107 large extruded cylindrical luminaires below a horizontal ceiling plane in an uplighting orientation. Ballast(s) are integral to the pendant assembly.

**Construction:**

Extruded aluminum ballast enclosure(s) with aluminum cover plate(s). Upper enclosure also functions as mounting frame and splice compartment. 3/16" thick aluminum stems and sidearms. Stems join ballast enclosures at articulated black reveals with concealed fasteners.

**Finish:**

Electrostatically applied thermoset polyester powder coat, semi-gloss white.

**Ordering Information:**

Order luminaire(s) separately, specify **X** mount. See Style 107 data page for complete ordering information.

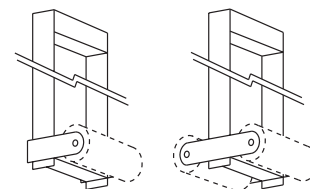
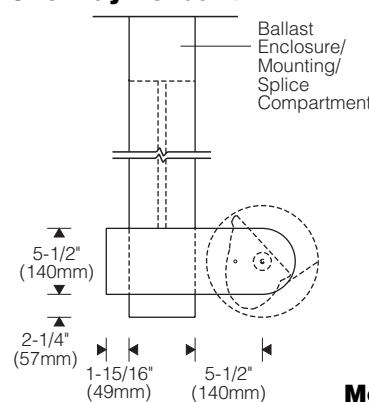
**VA** | **02** | **0** = uplight **cylinder pendant**  
(one or two way)

**Length** in inches up to 60" (1.5m) maximum

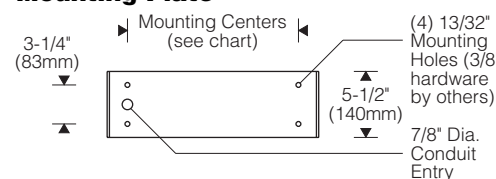
**D** = one way (nom. 18"), 300 - 500W TH; 175 - 400W MH  
**E** = two way (nom. 18"), 300 - 500W TH; 175 - 400W MH  
**F** = one way (nom. 24"), 900, 1000W TH; 2x400W MH  
**G** = two way (nom. 24"), 900, 1000W TH; 2x400W MH

**U.S. Patents D366,536, D430,324.**

**One Way Pendant**

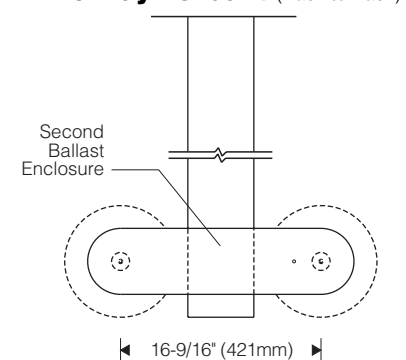


**Mounting Plate**



**Cylinder Uplight Pendant**

**Two Way Pendant (Back to Back)**



Wattage/Lamps	Width	Mounting Centers
300-500W TH 175-400W MH	18" (457mm)	14-1/4" (362mm) (4 holes)
900, 1000W TH 2x400 MH	25-1/8" (638mm)	10-13/16" (275mm) (6 holes)

