



elliptipar[®] with LED



SOLVING FOR LIGHT

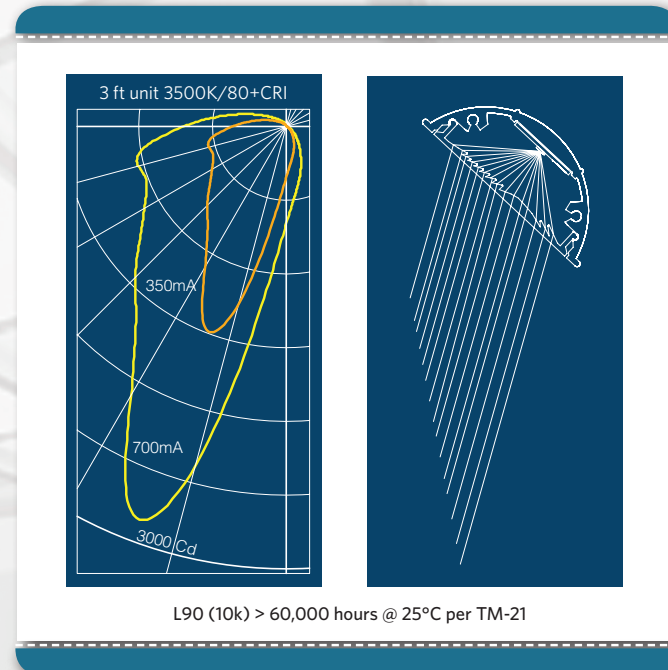
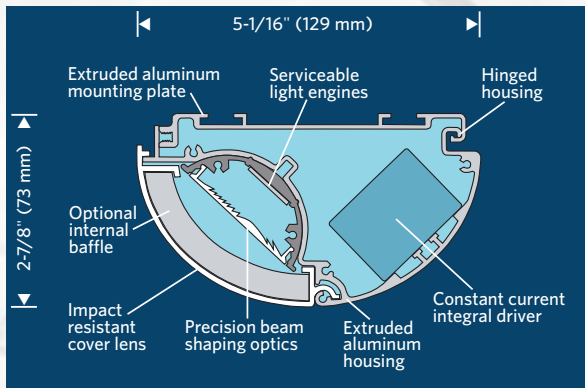
elliptipar[®]
tambient[®]



THE LIGHTING QUOTIENT[®]

www.TheLightingQuotient.com

elliptipar... there is no equal



- **Linear LED asymmetric distribution wall washer** produces an even wash of light on the entire wall without emphasizing surface imperfections (unlike slot grazers)
- **Proprietary refractive optics** - maximizes illumination on target surfaces while minimizing glare and spill light
- **Classic low profile semi-elliptical housing** less than 3" overall height
- **Ideal for** corridors, perimeters, displays, white boards, art walls, menu boards and signage in offices, schools and retail
- **Continuous row through-wiring** with optional quick-wiring harness
- **Several mountings** - surface, pendant, cable or cantilever

- **Hinged housing with integral driver** - simplifies installation and wiring
- **Over 1250 lumens per foot** - at 700mA or 640 lm/ft @ 350mA (3500K 80+ CRI)
- **High efficacy** - 85 lumens per watt (based on 3500K, 80+CRI at 700mA drive current)
- **Excellent lumen maintenance** - L90(10k) > 60,000 hours @ 25°C per TM-21
- **Several CCT/CRI choices** - 2700K, 3000K, 3500K or 4000K in 80+ CRI (other CCT and CRI options are available upon request)
- **Programmable drivers are available** - allows designers to achieve a specific lighting power density or custom light level
- **Easy access** to light engines and drivers for maintenance or future upgrades

SOLVING FOR LIGHT

elliptipar®
tambient®

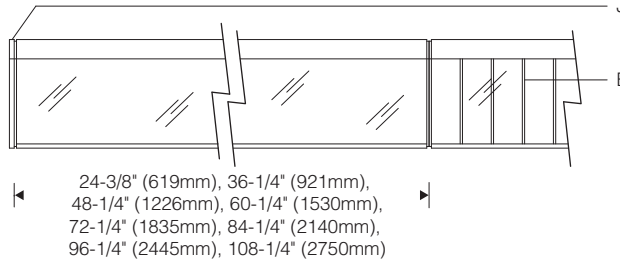
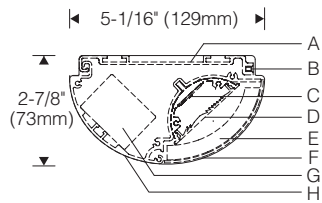


THE LIGHTING QUOTIENT®

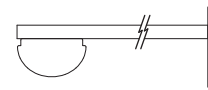
114 Boston Post Road
West Haven, CT 06516
203.931.4455
203.931.4464



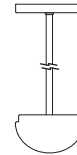
Style S144 1:5 Scale



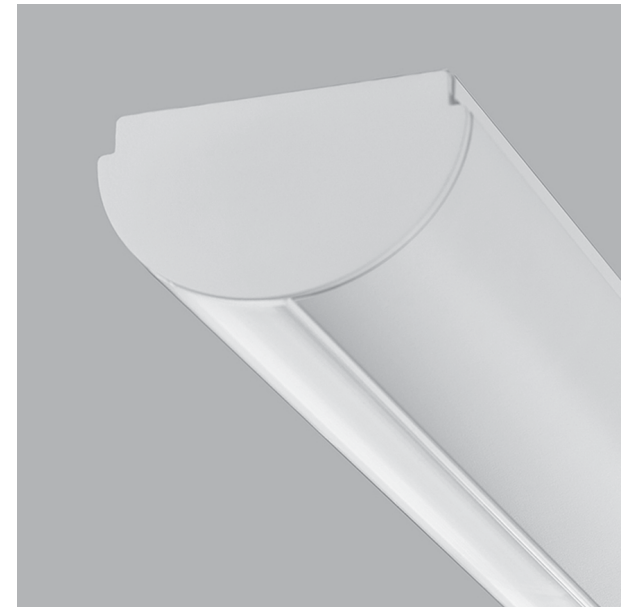
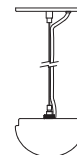
Hangers (X Mount):
Cantilevers



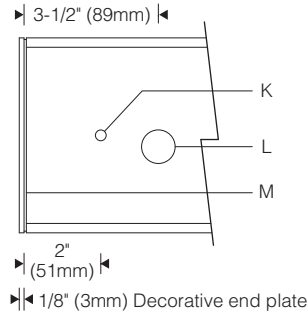
Pendant Stems



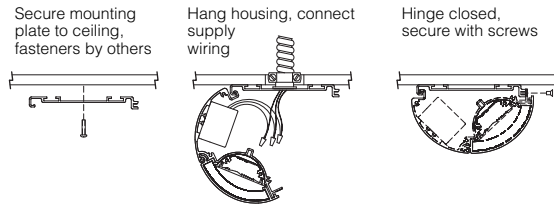
Cables



Top View (S Mount) 1:5 Scale



Installation (S mount)



Specifications

- | | | | |
|---|---|---|---|
| A Extruded aluminum mounting plate | D Extruded acrylic beam shaping lens | G High power factor constant current electronic driver | K Mounting hole 9/32" (7mm) diameter |
| B Closure screws | E Optional cross baffle (gray) | H Extruded aluminum housing | L Knockout 7/8" (22mm) diameter |
| C Serviceable light engine with mid-power LEDs | F Extruded acrylic hinging lens | J Aluminum end plates (required order separately) | M Aluminum reveal plate |

Features

- Inconspicuous low profile – lights entire wall evenly without emphasizing surface imperfections (unlike slot grazers)
- Compact size with integral driver
- Asymmetric distribution — evenly lights vertical surfaces
- Light engines are serviceable in one foot increments



Finish:

Painted surfaces – 6 stage pretreatment and electrostatically applied thermoset powder coat for stable, long lasting and corrosion resistant finish. Extruded aluminum mounting plate, housing, aluminum reveal plates. Reflector and internal end plates. All luminaire hardware – stainless steel.

Optic Assembly:

Light engine – extruded aluminum heat sink with LED PCB. Multiple mid-power LEDs are tightly spaced to minimize pixelation. Light engines are removable for replacement or upgrade in one-foot increments. Precision extruded optical lens of high temperature, water-clear acrylic. Elliptical distribution holographic diffuser maximizes lateral distribution without disturbing asymmetric distribution.

Mounting:

S mount – mounting plate fastens flush to ceiling. Unit hinges on plate for hands-free access to wiring.

X mount – required hanger assemblies for pendant stem, cable or cantilever ordered and priced separately (see pg. SW17.1). For shelf supported bridge or cantilever, consult factory.

Pendant stem – 11/16" O.D. aluminum, internally threaded; 5" dia. aluminum canopy. *Cable* – 1/16" dia. 7x7 aircraft cable, field adjustable length; crossbar with 1/4-20 stud and 5" dia. canopy.

Electrical:

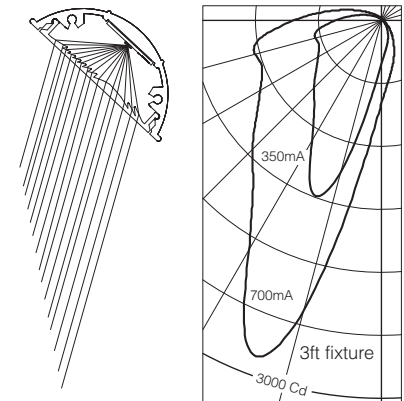
Use 90°C wire for supply connections. Integral electronic HPF thermally protected Class 2 driver. For complete driver specifications, see website, reference document [MA-1303](#). Driver/wireway compartment includes one conduit entry at each end. Channel cover is removable for access to driver and wiring. Luminaires may be butted end-to-end (connectors by others) for through wiring. Optional #12 AWG prewired modular through-wiring with quick connectors. Optional electronic dimming driver, compatible dimming controls (by others). See website for dimming compatibility and specifications.

Standard:

UL listed or CSA certified for dry location. 5 year warranty, maximum ambient temperature 45°C (113°F).

Performance

Precisely extruded acrylic lens produces an asymmetric distribution ideal for illuminating vertical surfaces evenly from top to bottom.



L90(10k) > 60,000 hrs. @ 25°C per TM-21



To form a Catalog Number

S 1 4 4 - R - - - - - - - - - -
 1 2 3 4 5 6 7 8 9 10

Project: _____

Type: _____

1 Source

S = Solid state (LED)

2 Style

144 = Small enclosed semi-elliptical linear one-way LED with integral driver

3 Length and Light Output

- R02L = 2ft fixture @ 350mA, 14.5 watts, 1281 lumens
- R02M = 2ft fixture @ 700mA, 28.9 watts, 2453 lumens
- R03L = 3ft fixture @ 350mA, 21.7 watts, 1921 lumens
- R03M = 3ft fixture @ 700mA, 43.4 watts, 3680 lumens
- R04L = 4ft fixture @ 350mA, 28.9 watts, 2561 lumens
- R04M = 4ft fixture @ 700mA, 57.8 watts, 4907 lumens
- R05L = 5ft fixture @ 350mA, 36.1 watts, 3202 lumens
- R05M = 5ft fixture @ 700mA, 72.3 watts, 6133 lumens
- R06L = 6ft fixture @ 350mA, 43.4 watts, 3842 lumens
- R06M = 6ft fixture @ 700mA, 86.7 watts, 7360 lumens
- R07L = 7ft fixture @ 350mA, 50.6 watts, 4482 lumens
- R07M = 7ft fixture @ 700mA, 101.2 watts, 8587 lumens
- R08L = 8ft fixture @ 350mA, 57.8 watts, 5123 lumens
- R08M = 8ft fixture @ 700mA, 115.7 watts, 9813 lumens
- R09L = 9ft fixture @ 350mA, 65.1 watts, 5763 lumens
- R09M = 9ft fixture @ 700mA, 130.1 watts, 11040 lumens

Based on 3500K/80+CRI. [Click here](#) for scaled performance table.

4 Mounting

S = Ceiling (surface) mount
 X = For use with cantilever, pendant stem, or cable support; required A4 mounting hangers ordered and priced separately — see hangers at right

Note: Both S and X mount fixtures require ADEA4 end kits, ordered and priced separately.

5 Finish

02 = Semigloss white
 22 = Matte white
 99 = Custom RAL or computer matched color to be specified, consult factory



[DOE Lighting Facts label for S144](#), 3ft fixture @ 700 mA, 3500K/80+CRI shown.

6 Voltage/Driver

Electronic Driver *Electronic Dimming Driver**
8 = 120-277V **M** = 120-277V
3 = 347V **K** = 347V

*Dimming range refers to % power input, % light output will vary.

Refer to Driver Information document [MA-1303](#)

7 Option (See Accessories Section for specifications)

- L0 = Clear lens (included in fixture)
- LB = Combination: clear lens and baffle
- LK = Combination: clear lens and prewired modular thru-wiring
- LC = Combination: clear lens, baffle, prewired modular thru-wiring
- LM = For use in MRI medical facility (drivers remote mounted). MRI filters (by others) required on output of each remote driver. Consult factory prior to specification.

8 Destination Requirement

0 = UL listed or CSA certified for U.S.
 J = UL listed or CSA certified for Canada

9 Color Temperature

27 = 2700K, 80+ CRI 35 = 3500K, 80+ CRI
 30 = 3000K, 80+ CRI 40 = 4000K, 80+ CRI

Note: Additional CCT and CRI options are available; consult factory.

10 Dimming**

- 00 = Non-dimming
- TE = LightTech line voltage dimming 100-10% power (trailing edge, reverse phase, ELV dimming controls by others)
- ZX = 0-10V analog dimming 120-277V or 347V input, dimming range 100%-5%, 0-10V controls by others
- L2 = Lutron Hi-lume LTE 120V input only, dimming range 100%-1%, compatible 2-wire dimming controls by others
- LH = Lutron Hi-lume L3D 120-277V input, dimming range 100%-1%, Lutron 3-wire dimming controls by others
- L3 = Lutron Hi-lume L3D EcoSystem 120-277V input, dimming range 100%-1%, EcoBus dimming controls by others
- EL = eldoLED SOLOdrive 120-277V input, 0-10V analog gamma corrected dimming 100%-0.1% power (controls by others)
- ED = eldoLED SOLOdrive 120-277V input, dimming range 100%-0.1%, DALI controls by others

**Dimming range refers to % power input, % light output will vary.

Refer to Driver Information document [MA-1303](#)

Note: No. of drivers varies with no. of LEDs, drive current and driver type.

Required Mounting Hangers (X mount)

Required mounting hangers for X mount fixtures are ordered and priced separately. See installation sheets on website. Singles – order one non-electrical and one electrical feed hanger for each module (X mount). Rows – order one non-electrical hanger for each module (X mount) plus one electrical feed for each row. Cantilever and stem electrical feeds must be located at an end of row. Cable feed can be located at ends or intermediate joints.

A4C, A4D, A4F, A4G, A4R, or A4S hangers are required for S144.

A4 $\frac{5}{18}$ = Cantilever, 18" (460mm) setback
 Finish: 5 = U.S., 0 = Canada, J = Canada
 C = Non-electrical, D = Electrical feed

A4 $\frac{5}{}$ = Pendant stem
 Finish: 5 = U.S., 0 = Canada, J = Canada
 Length in inches, up to 60" (1.5m), 6" minimum
 F = Non-electrical, G = Electrical feed

A4 $\frac{5}{}$ = Cable support, canopy, field adjustable length
 Finish: 5 = U.S., 0 = Canada, J = Canada
 48 = up to 48" (1.2m), 96 = 48" to 96" (2.4m)
 R = Non-electrical, S = Electrical feed, 18/5 metal braid cord

Required End Plates (all fixtures)

Required end plates for all fixtures are ordered and priced separately.

ADEA4 $\frac{5}{0}$ = Decorative end plates (pair), one pair required for each individual fixture or row. Specify color to match housing finish at left.
 Finish: 5 = U.S., 0 = Canada, J = Canada
Note: pair adds 1/4" (6mm) to length.

Accessories

AHB00000 = Hanger bar kit for grid ceilings, includes (2) hanger bars, (4) 1/2-20x3.5"L screws, (8) 1/4-20 K-nuts

AMR02050 = Accessory Magnetic Resonance imaging filter. 2 conductor up to 5 amps, attenuation > 100dB (5MHz to 10GHz)
Note: one filter required per remote driver – consult factory for number of drivers required per luminaire.

Certain products illustrated may be covered by applicable patents and patents pending. These specifications supersede all prior publications and are subject to change without notice. Copyright © 2017 Sylvan R. Shemitz Designs, LLC, all rights reserved.